

Make

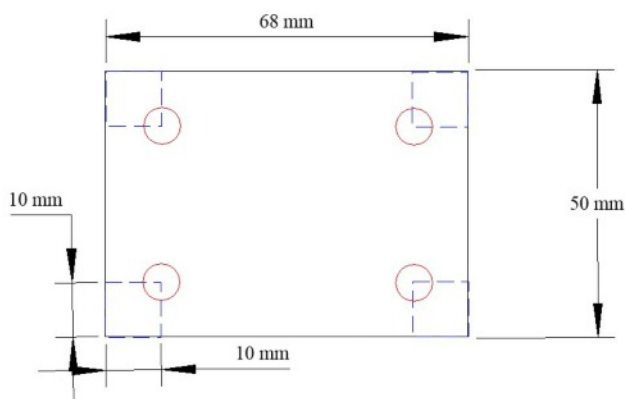
Ron the Ram



Sycamore and Laburnam

These are fun to make, popular with children and sell well at craft shows.

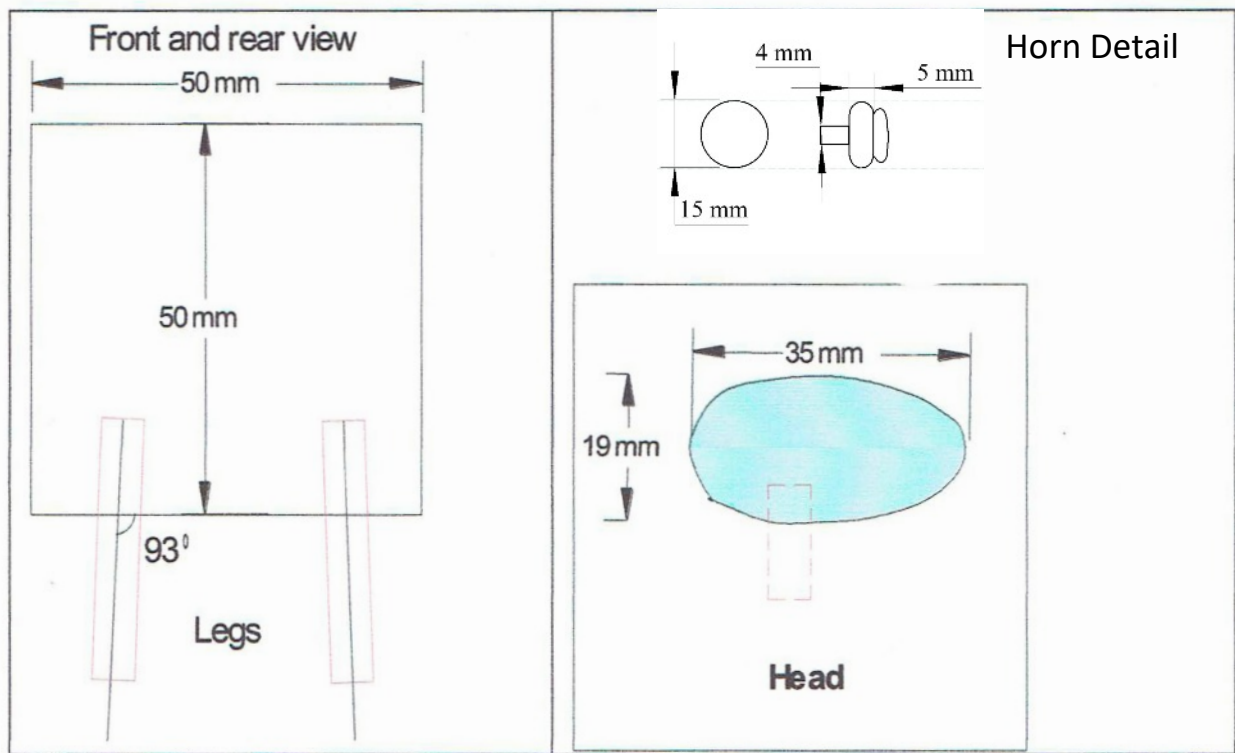
To make the body take a piece of timber 50 mm by 50 mm by about 85 mm and mark off a 68 mm length, which is the actual length of Ron.



You may find it easier to drill the holes in the body for the legs while the timber is in square section. The leg holes are positioned 10 mm from the front and back edge using a 7 mm diameter drill bit. Be fairly generous with the depth or you will find the holes are "lost" during turning

The legs are drilled so that they are angled outwards. Use an angle of 3 or 4 degrees. It is important that the legs are set at a consistent angle or the sheep will look as if it needs the vet.

John Hawkswell



The body consists of 4 large beads (see diagram below). Put a shallow convex surface at each end. Fix the dowels you have turned or bought for the legs.

The hole for the dowel which fixes the head to the body is drilled in the centre of the first bead. Turn the 2 horns and tail with a 4 mm pin. The back of the head should approximately align with the centre of the second bead.

Once the head is fixed in position drill a 4 mm diameter hole in each side of the head to insert the horns. Drill a hole in the rear for the tail. Fix these components in position and glue.

