

Christmas Project

Marble Run



This Challenge is based on a marble maze game for children. You usually find them made of plastic. Sometimes you see it for charity in supermarkets using coins.

On the command 3-2-1 you release the marble by hand down the common tube. The marble runs round and round the conical funnel until it reaches the centre hole and drops down.

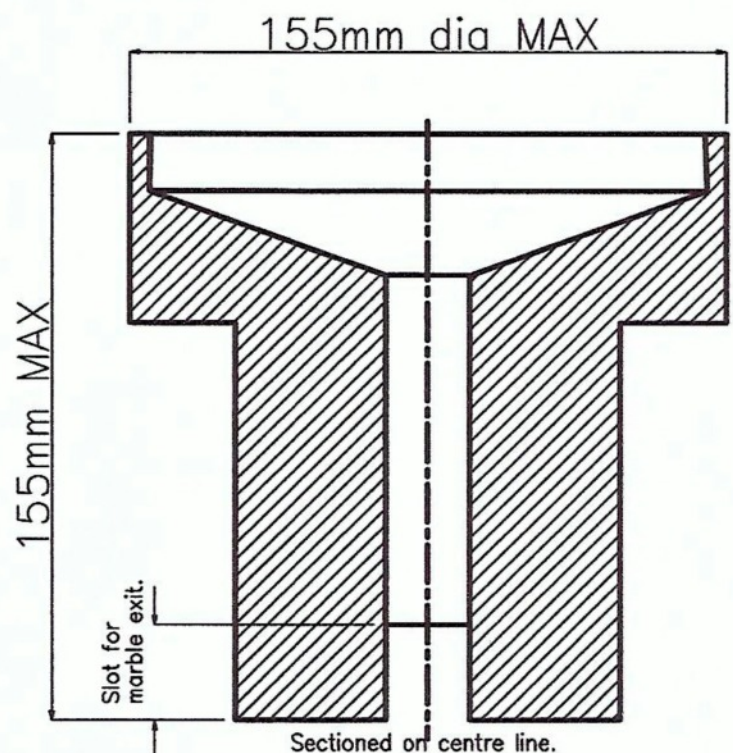
The only rules for the Christmas competition are to make it in wood and no bigger than 155 mm x 155 mm MAX,

A common marble size of 16 mm will be used. Marble entry into the cone is controlled by a standard, common mounted plastic tube **to be used by all contestants.**

Same marbles and settings for each contestant regarding the tube. Clock starts once the marble is released into the tube and it stops on reaching the base.

The winner is the longest time, best of 3 attempts. Above drawing is a guide only but no bigger than 155 mm x 155 mm please. May the best marble win!

Don't forget it's for FUN.



THERE IS NO NEED TO MAKE THE LAUNCHER

Mike Macey