

Make this

Decorative Table Light



When Emma Cook (aka “The Tiny Turner”) visited the GAW recently she showed us how she makes Christmas hanging baubles using illuminated glass spheres. They can also be used to make a good decoration for the table or window ledge.

Start with some timber about 85mm x 85mm by 100mm long. Mount between centres and rough down to a cylinder and form a spigot at one end so you can place the cylinder in a chuck.

Start by drilling a 10mm hole about 12mm deep in the sidewall at the tailstock end and form a recess in the base. Turn away the base so that this 10mm hole becomes a semi circle through the rim of the recess



This hole with the recess provides an exit for the wire and switch/battery housing

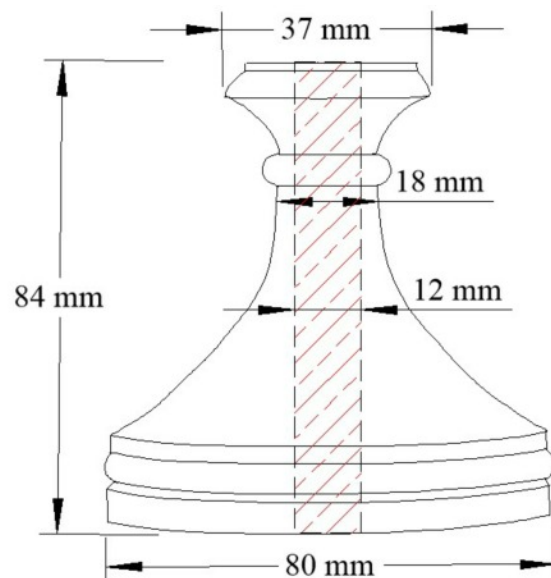
Now remount the base end in the chuck in expansion mode using the recess you have just created.

Sycamore. Finished using sander sealer and yorkshire grit.

Drill a 12mm hole as shown in the plan and then begin to shape the wood. Shape the cup that holds the sphere so that it is a snug fit. Test fit the sphere, and if necessary widen the hole at the top to accommodate the sphere.

Sand carefully and finish using your preferred method making sure you do not cover the surface to be glued. Before gluing up gently insert the LED lights through the base and into the sphere distributing the lights evenly.

Evostick Serious Glue works quite well and it is transparent. The sphere and lights are available as kits in various colours. Kits can be obtained from:
<https://www.thetinyturner.co.uk/shop-1>



John Hawkswell