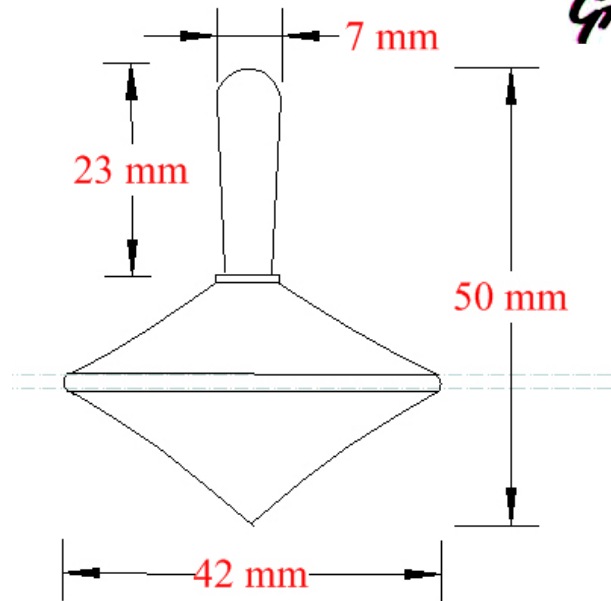


Novice Turner Project

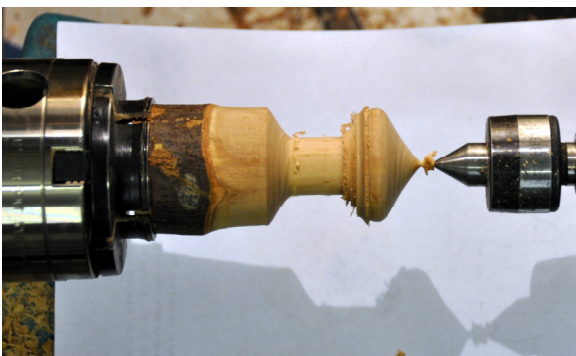
Spinning Top



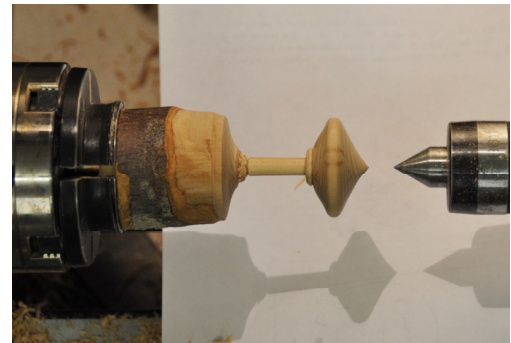
1. Mount the wood firmly in the chuck, bring up tailstock and turn down to a cylinder with the roughing out gouge. I find fruit wood is a good choice for this project.



2. Shape the end to a point (not too fine a point or it will break) with a 3/8ths spindle gouge. The tailstock is not in contact with the wood but close enough to limit the wood making its own way in the world.



3. When you are happy with the pointy end of the top reduce the width of the cylinder with a parting tool as shown. Give yourself some access space by turning away some of the waste wood.



4. With most of the heavy cuts out of the way the tailstock can be removed completely. Finish the stem with the side of a gouge to produce a slight taper. Sand, decorate and finish with sander sealer or oil and part off. Now for the moment of truth will it spin?