

Make this

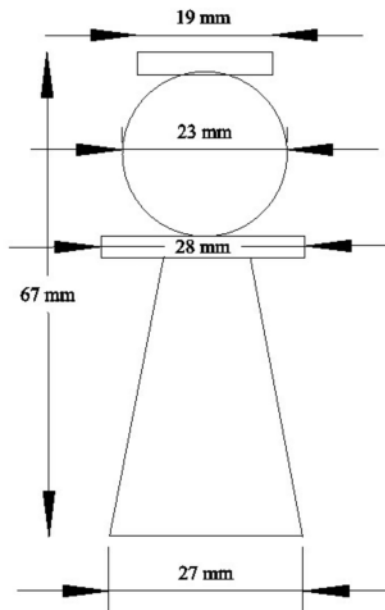
Christmas Angel



Turned between centre this offers a charming alternative to the usual run of Christmas tree decorations. The beech wood one shown on the left was a bit bland so a bit of pyrography was added to give it character.



Doing demure



In my view the angel looks better with a well defined circular face. This can be a bit of a challenge because the wings of a normal spindle gouge will hit the "halo" or "wings". The answer is to use a skew chisel or a 6mm spindle gouge made from a solid HSS bar which has no wings to catch.

Finish as desired. I used cellulose sander sealer and wax.

Then fix a small (say 12mm) picture frame screw eye to the top using a pre drilled hole and add a loop of nice ribbon



Yew provides plenty of interest